



REFERENCE : PA645

SIZES : U

COMPOSITION :

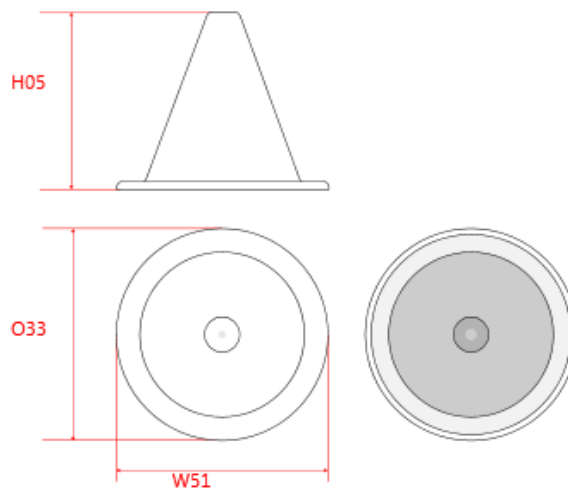
Main material : Flexible PVC PVC

FABRIC CONSTRUCTION AND FINISHING :

Flexible PVC

ARTICLE WEIGHT :

300 gr/pc



DESCRIPTION	
Français :	Cône souple
English :	Cone
Nederlands :	Cones
Deutsch :	Flexibles kegelförmiges Hütchen
Español :	Cono semi rígido
Italiano :	Cono morbido
Português :	Cone flexível

COLORS	PANTONE SERIGRAPHIE
Red	Not available
Yellow	Not available

MEASUREMENT	
Description	U
H05 Hauteur totale / Total height	15
W51 Total width	18
O33 Deep of bottom part	18

PACKING	
Box	100 pcs / box Size => L:60cm W:35cm H:25cm GW:32Kg NW:30Kg