

# PROACT.®

REFERENCE : PA193

SIZES : XS\_S\_M\_L\_XL\_XXL

**COMPOSITION :**

Main fabric : Polyester diamond cool dry -100 100%polyester

Lining 1 : Mesh 65 For inner top of pants & pockets sack 100% polyester

Lining : Polyester taffeta 190T - 60 For inner bottom pants 100%polyester

**WEIGHT :**

Main fabric : 100 gsm

Lining 1 : 65 gsm

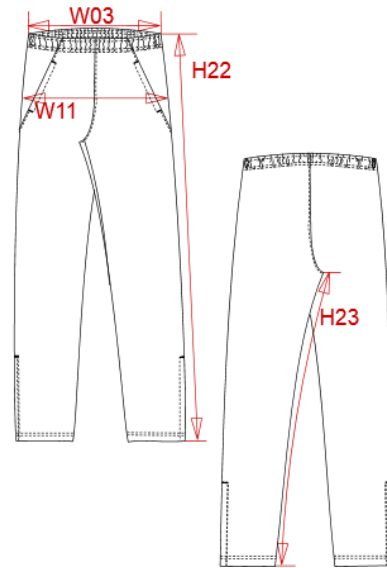
Lining : 60 gsm

**TECHNICAL DETAIL :**

Quick dry fabric

**ARTICLE WEIGHT :**

258 gr/pc



DESCRIPTION
<b>Français :</b> Pantalon survêtement femme
<b>English :</b> Ladies' track pants
<b>Nederlands :</b> Dames trainingsbroek
<b>Deutsch :</b> DAMEN TRAININGSHOSE
<b>Español :</b> Pantalón de chándal para mujer
<b>Italiano :</b> PANTALONI TUTA DONNA
<b>Português :</b> Calças de fato de treino de senhora

COLORS	PANTONE SERIGRAPHIE
Black	Black
Navy	433C

MEASUREMENT						
Description	XS	S	M	L	XL	XXL
<b>W18E (L)</b> 1/2 taille élastiquée/ 1/2 elasticated	29	31	33	35	37	39
<b>W11 (L)</b> 1/2 bassin / 1/2 hip width	48	50	52	54	56	58
<b>H22 (L)</b> Longueur côté / Side length	101,70	103,20	103,70	105,20	105,70	107,30
<b>H23 (L)</b> Longueur entrejambe / Inside leg length	78,40	79,40	79,40	80,40	80,40	81,40

CARE LABEL

PACKING	
Box	30 pcs / box
All sizes => L:60cm W:40cm H:13cm GW:3.90kg NW:2.90kg	