

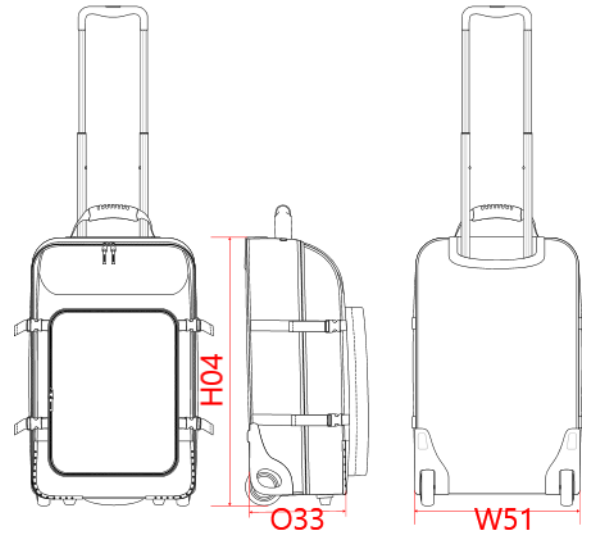


REFERENCE : KI0809

SIZES : U

COMPOSITION :

Main fabric : Polyester Twisted 600D HD PU backing 100% polyester
 Main fabric : Polyester oxford 600D PVC backing For recovered piping. All around front + back panels. 100%polyester
 Mesh 1 : Polyester mesh 150 For inner pocket. 100% polyester
 Lining : Polyester 210D PU backing - 75 On inside. 100% polyester
 Material 2 : PVC quality On corner protectors, on bottom part of front panel. 100%Polyvinyl chloride
 Material 6 : Rubber quality For top handle. 100%rubber
 Material 3 : Aluminium quality For trolley system. 100% aluminium
 Material 4 : PP plastic quality For plastic foot + honeycomb to fix it to the trolley end. 100%polypropylene
 Material 5 : ABS plastic quality For honeycomb, on half frame of the case. 100%acrylonitrile butadiene styrene



TECHNICAL DETAIL :

PU backing

ARTICLE WEIGHT :

2200 gr/pc

DESCRIPTION	COLORS	PANTONE SERIGRAPHIE
Français : Trolley cabine KIMOOD JAP	Dark grey	447C
English : KIMOOD JAP Cabine size trolley	Dark titanium	Black 3C
Nederlands : KIMOOD JAP Cabine size trolley	Navy	433C
Deutsch : Flugzeugkabinentauglicher trolley aus der JAP-Kollektion		
Español : Maleta KIMOOD JAP		
Italiano : KIMOOD JAP trolley da cabina		
Português : Trolley tamanho cabine		

MEASUREMENT							
Description	U						
H04 Hauteur coté / Side length	55						
W51 Total width	34						
O33 Deep of bottom part	20						

PACKING	
Box	2 pcs / box U => L:36cm W:32cm H:58cm GW:5,4Kg NW:4,4Kg